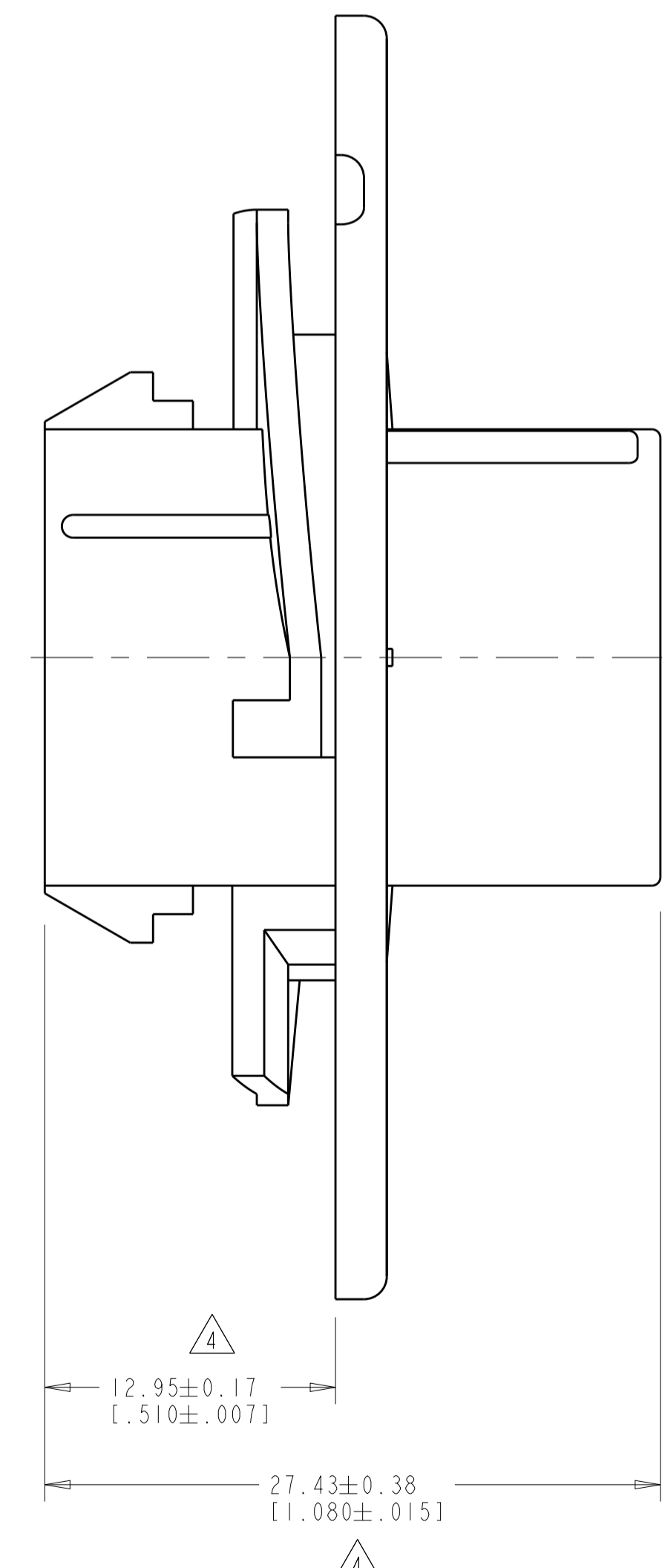
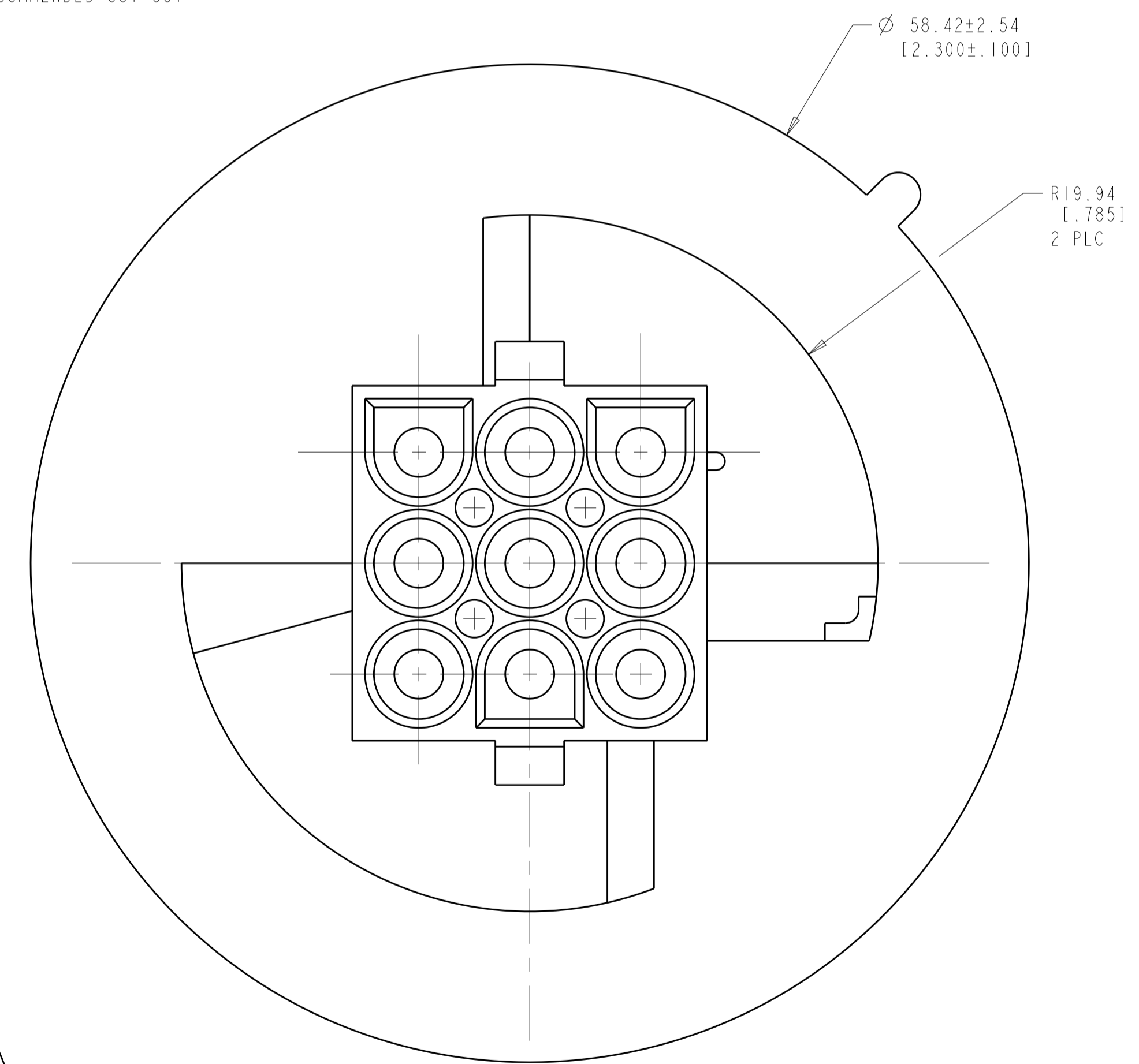
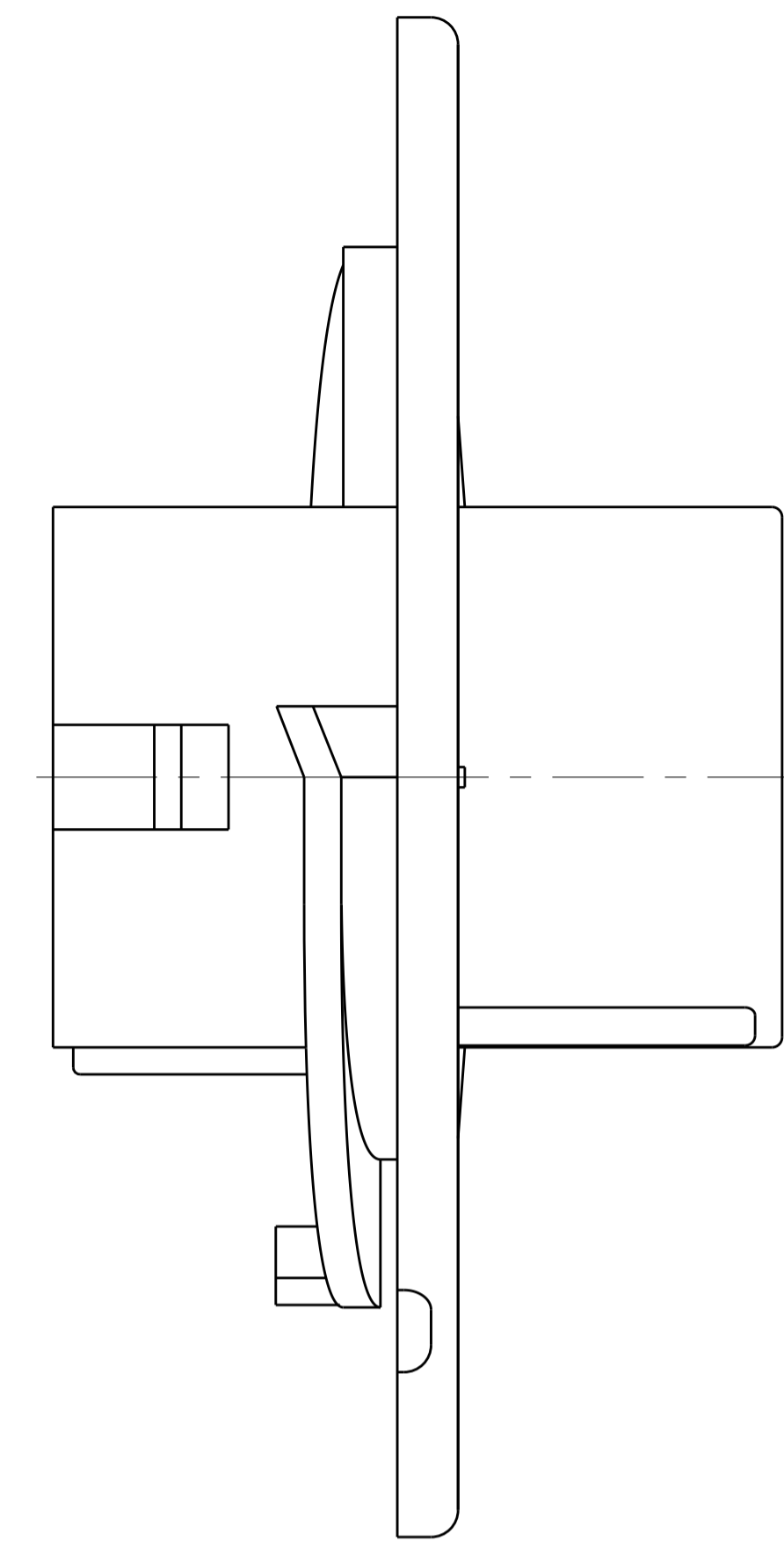
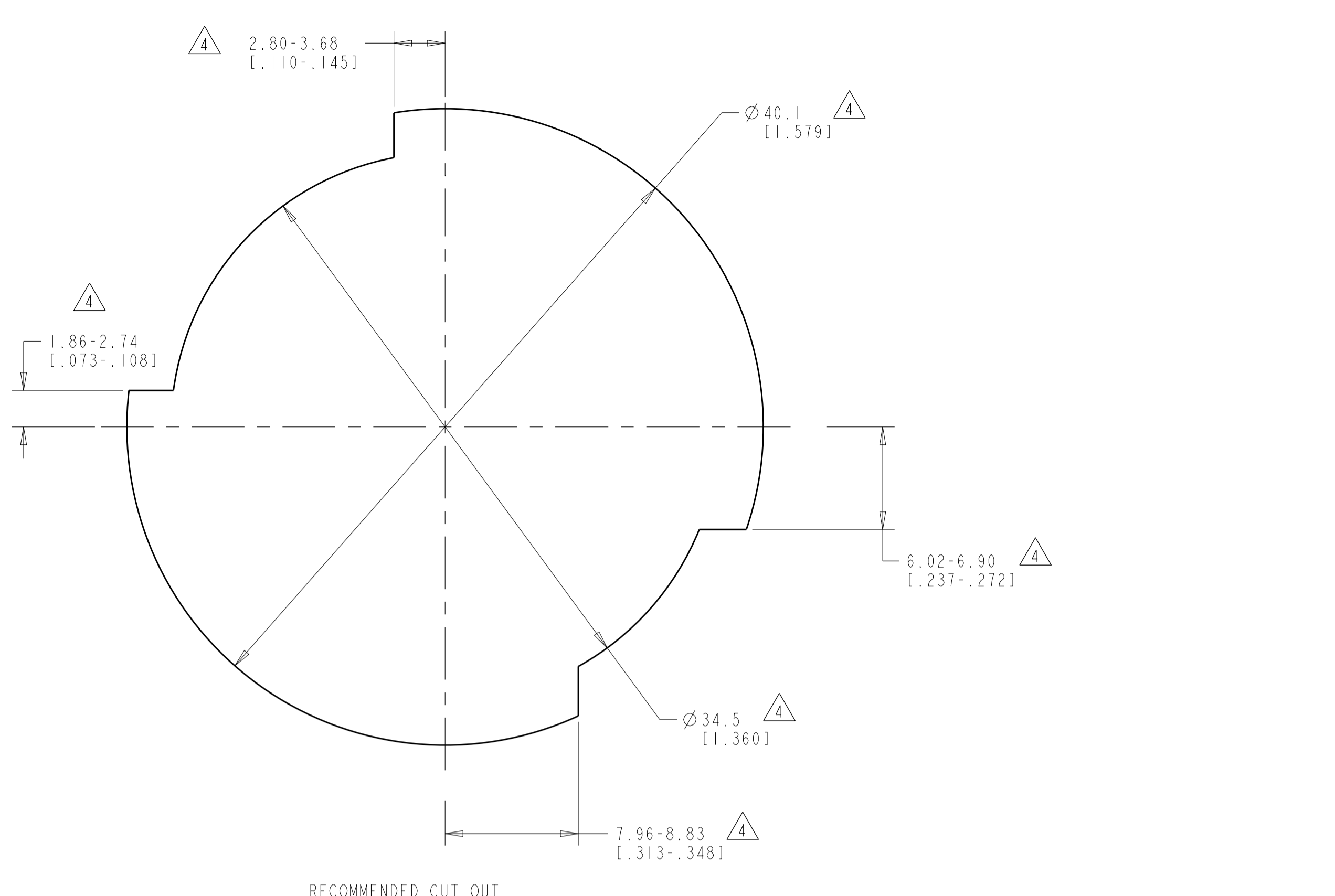
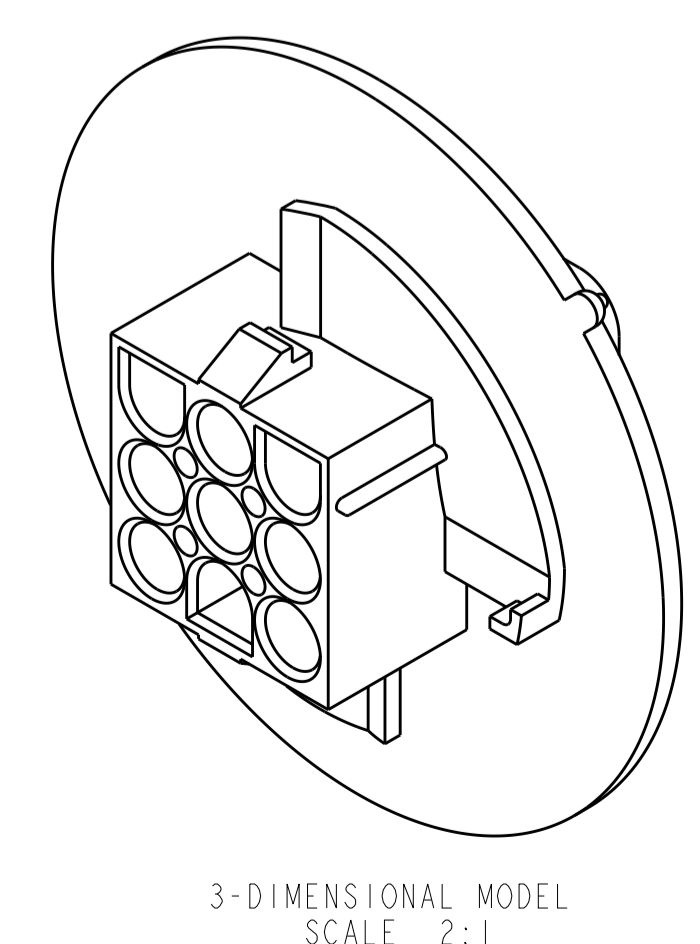
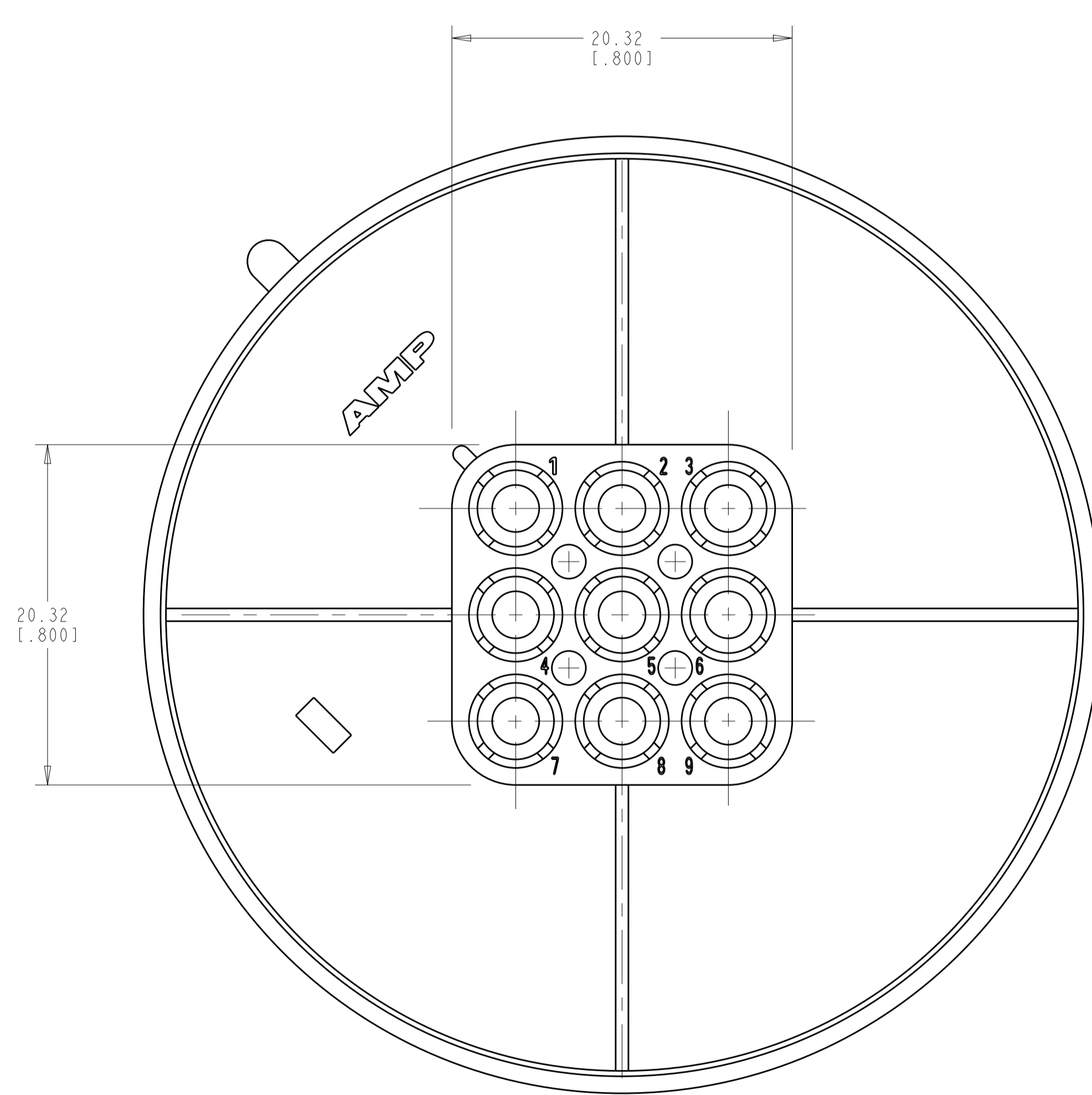


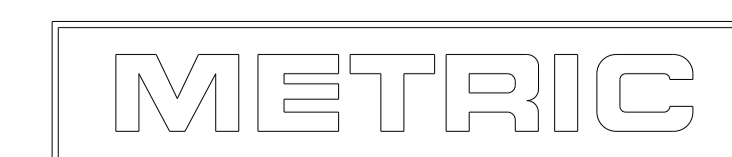
LOC	DIST	REVISIONS			
P	LTN	DESCRIPTION	DATE	DMN	APVD
E		REVISED PER ECR-11-006881	06APR2011	HMR	TM
E1		REVISED PER ECR-14-001377	20APR2015	AV	DZ



- MATES WITH APPROPRIATE UNIVERSAL MATE-N-LOK™ PLUG AND CONTACTS.
 - RECOMMENDED PANEL THICKNESS 0.76 - 2.29 [0.030 - .090].
 - PANEL MUST BE PUNCHED SO THAT THE HOUSING ENTERS THE PANEL IN THE SAME DIRECTION AS THE PUNCH.
- ⚠ DIMENSIONS INDICATED ARE REFERENCE. ADDITIONAL GROWTH DUE TO SUBSEQUENT MOISTURE ABSORPTION MAY OCCUR.



RED	2029299-1
COLOR	PART NUMBER



THIS DRAWING IS A CONTROLLED DOCUMENT.		DMN: AR JUN 16JAN2010	TE Connectivity	
DIMENSIONS: mm [INCHES]		CHK: M. SARVER 16JAN2010	CAP. 9 CIRCUIT, UNIVERSAL MATE-N-LOK(TM), SPECIAL	
TOLERANCES UNLESS OTHERWISE SPECIFIED:		APVD: -	PRODUCT SPEC: 108-1031 APPLICATION SPEC: 114-1010	
0 PLC ±	1 PLC ±	SIZE: A1 CAGE CODE: 00779 DRAWING NO: 2029299		
2 PLC ±	3 PLC ±	WEIGHT: -		
4 PLC ±	ANGLES: ±	CUSTOMER DRAWING		
FINISH: -	SCALE: 4:1	SHEET 1 OF 1 REV E		